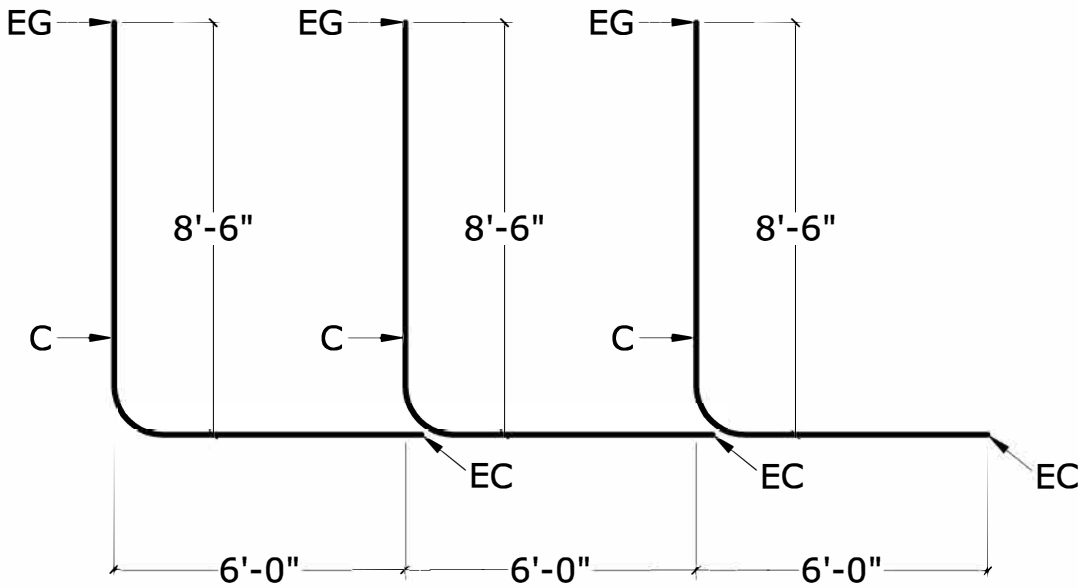
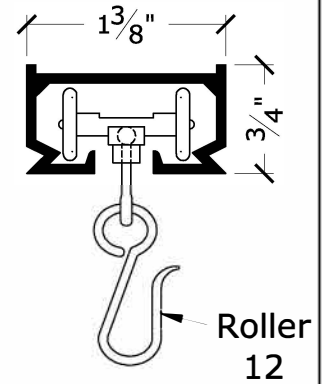


Surface Mounted Cubicle Curtain Track

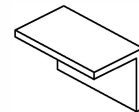


MATERIAL	Extruded Aluminum
FINISH	Satin Anodized or White Baked Enamel
BENDS	All bends shall be 12" radius and up to 90 degrees
CARRIERS _____/Ft	ROLLER 12 - Nylon axle, two nylon wheels, tangle free nylon swivel, and nickel plated steel hook.

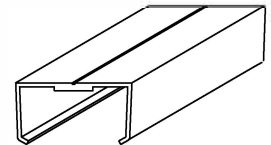
1200CT



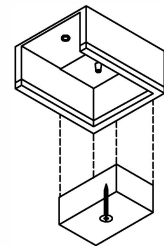
1207 End Cap (EC)



1208 Connector (C)



1210 End Gate (EG)



TYPICAL TRACK PARTS:

- 1207 End Cap:** Aluminum End Cap is used as a permanent stop for curtain carriers. It is secured to the track with one (1) rivet.
- 1208 Connector:** Aluminum connector is used to join two pieces of track. It is secured with four (4) rivets, two per track piece.
- 1210 End Gate:** Plastic End Gate provides a removable cap for easy addition and removal of curtain carriers. It is secured to the track with one (1) rivet.

ARCHITECT		DATE	
CONTRACTOR		DATE REV	
DISTRIBUTOR		DRAWN BY	
PROJECT		JOB #	
		SHEET	