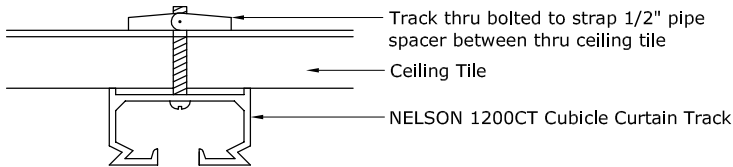
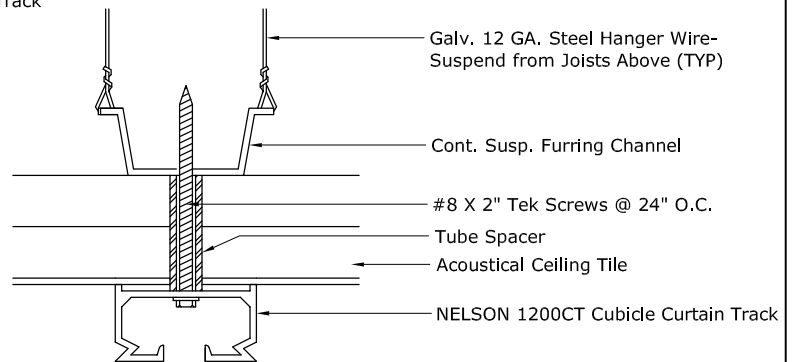


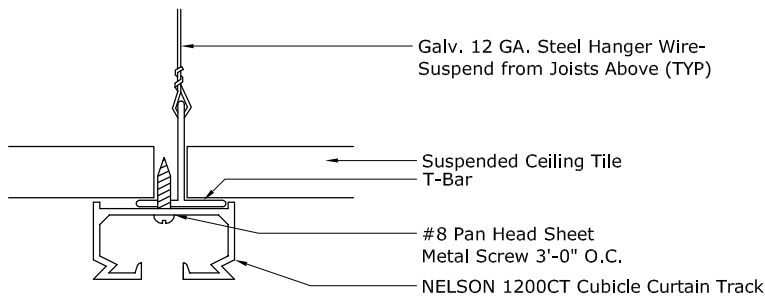
These details represent only a few of the possible methods for installing Cubicle and IV track. If specific procedures are outlined in contract documents, please verify with architect exactly which method to follow. Fastening devices noted here are to be used as guidelines only. Specific sizes and spacing must be determined by installer. No fastening devices or any above-ceiling supports are furnished with our track.



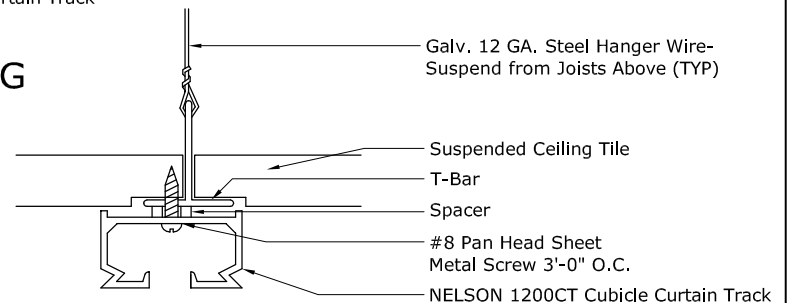
### SURFACE MOUNTED CUBICLE TRACK



### SUSPENDED TILE CEILING WITH HAT CHANNEL



### SUSPENDED ACOUSTICAL TILE CEILING



### SUSPENDED TEGULAR TILE CEILING

# CUBICLE TRACK MOUNTING DETAILS



## **Installation Instructions for AR Nelson 1200CT Ceiling Mounted Track**

- #1208 Connectors: Aluminum connector is used to join two pieces of track. It is secured with two (2) rivets per track piece.
- #1207 End Cap: Aluminum End Cap is used as a permanent stop for curtain carriers. It is secured to the track with one (1) rivet.
- #1210 End Gate: ABS plastic End Gate provides a removable cap for easy addition and removal of curtain carriers. It is secured to the track with one (1) rivet. Filler cap is secured to end gate with (1) provided screw.

### **Procedure:**

1. Refer to layout drawing for location and size of bends and straights.
2. Assemble track for each layout by attaching connector(s), end cap, and end gate.
3. Install on ceiling using suitable fastener for type of construction.
4. Continue in accordance with layouts shown on drawing.
5. When track is completely installed and ready for use put required number of carriers into tracks at end gates. Install filler cap into end gate with #8 x 1" screw (provided).