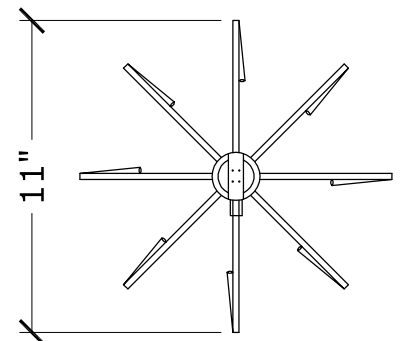
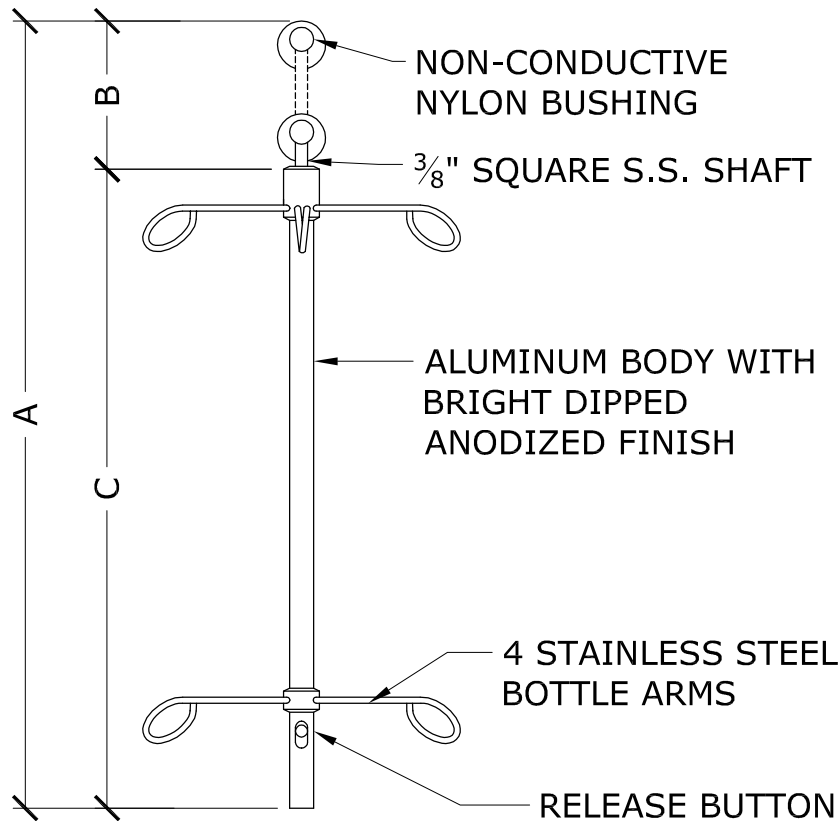


# Model 8000 Telescoping Bottle Holder



CEILING HEIGHT	FULLY EXTENDED (A)	VERTICAL TRAVEL (B)	CLOSED (C)	BOTTLE HOLDER FEATURES	
				NUMBER OF I.V. HOOKS	8
8'-0"	28"	10"	18"	I.V. HOOK LOCATION	4 TOP, 4 BOTTOM (OFFSET 45 DEGREES)
8'-6"	39"	16"	23"		
9'-0"	45"	16"	29"	VERTICAL ADJUSTMENTS	16" TELESCOPING SQUARE SHAFT (10" ADJ. ON 8'-0" C.H.)
9'-6"	51"	16"	35"		
10'-0"	57"	16"	41"		
10'-6"	63"	16"	47"		

QUANTITY	CEILING HEIGHT



**TOP VIEW**

ARCHITECT		DATE	
CONTRACTOR		DATE REV	
DISTRIBUTOR		DRAWN BY	
PROJECT		JOB #	
		SHEET	