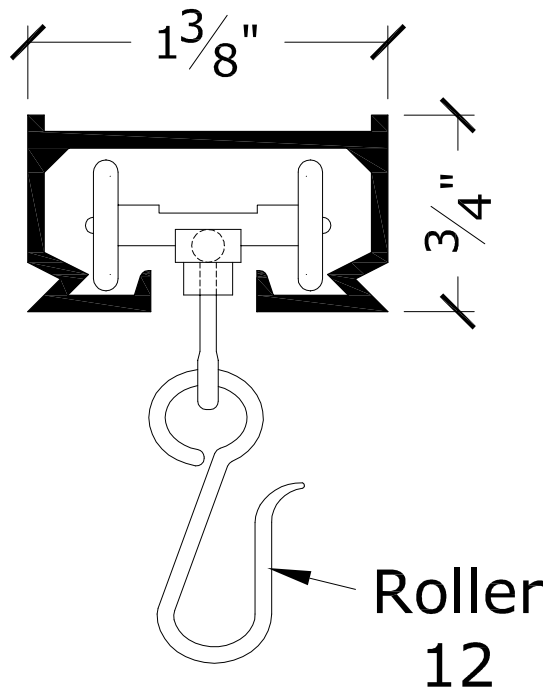


Surface Mounted Cubicle Curtain Track

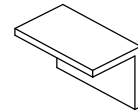


MATERIAL	#6063 Extruded Aluminum
FINISH	Satin Anodized or White Powder Coat
BENDS	All bends shall be 12" radius and up to 90 degrees
CARRIERS _____/Ft	ROLLER 12 - Nylon axle, two nylon wheels, tangle free nylon swivel, and nickel plated steel hook.

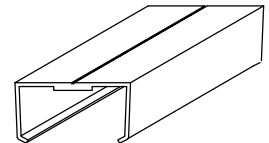
1200CT Track Detail



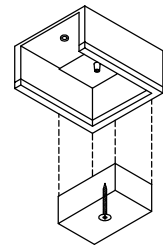
1207 End Cap (EC)



1208 Connector (C)



1210 End Gate (EG)



ARCHITECT		DATE	
CONTRACTOR		DATE REV	
DISTRIBUTOR		DRAWN BY	
PROJECT		JOB #	
		SHEET	