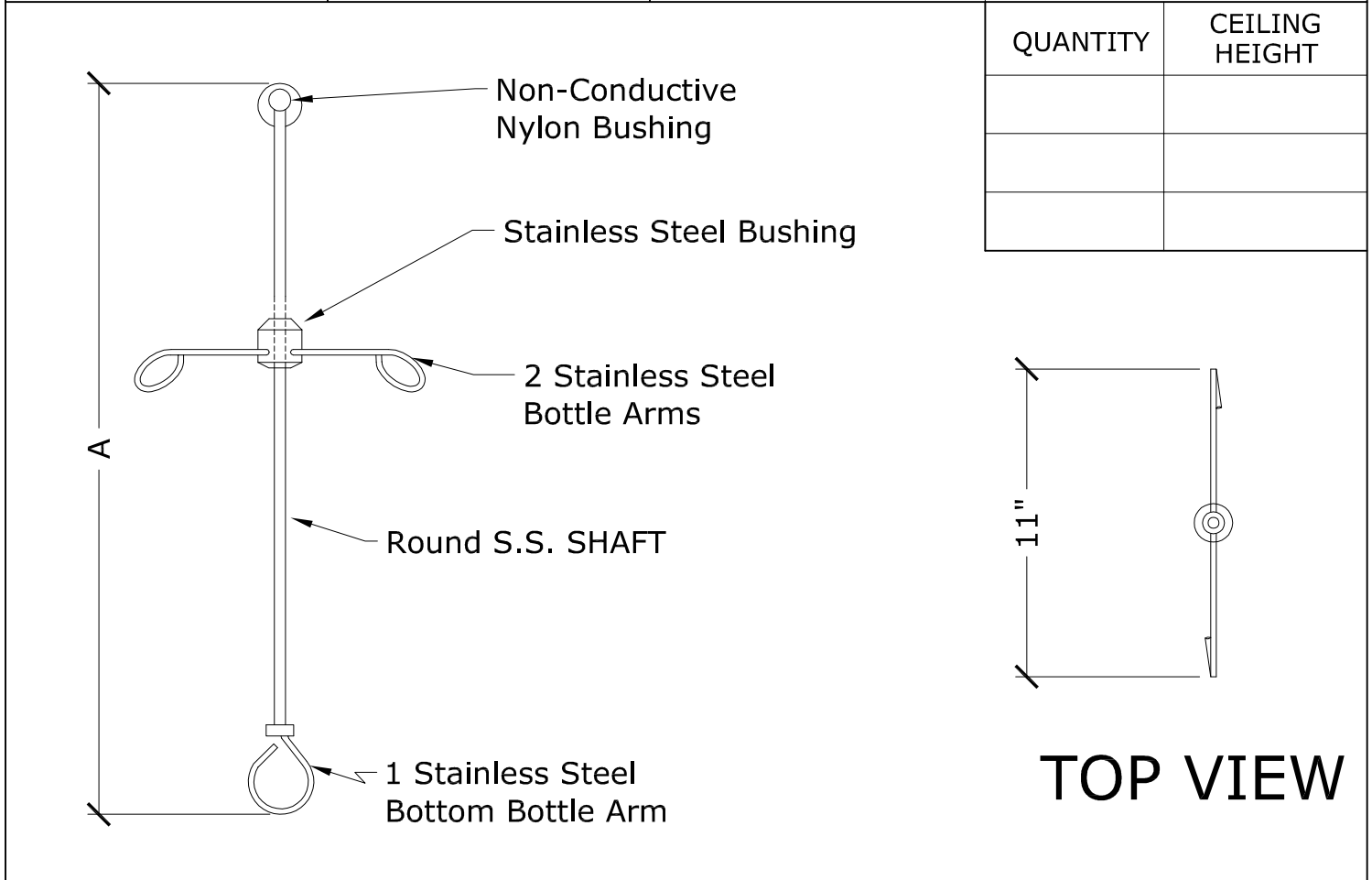


Special MRI Room Non-Adjustable Bottle Holder



CEILING HEIGHT	OVERALL TRAVEL	BOTTLE HOLDER FEATURES	
		8'-0"	24"
8'-6"	30"	I.V. HOOK LOCATION	2 (1 BOTTOM HOOK)
9'-0"	36"		
9'-6"	42"	VERTICAL ADJUSTMENTS	None
10'-0"	48"		
10'-6"	54"		



TOP VIEW

ARCHITECT		DATE	
CONTRACTOR		DATE REV	
DISTRIBUTOR		DRAWN BY	
PROJECT		JOB #	
		SHEET	