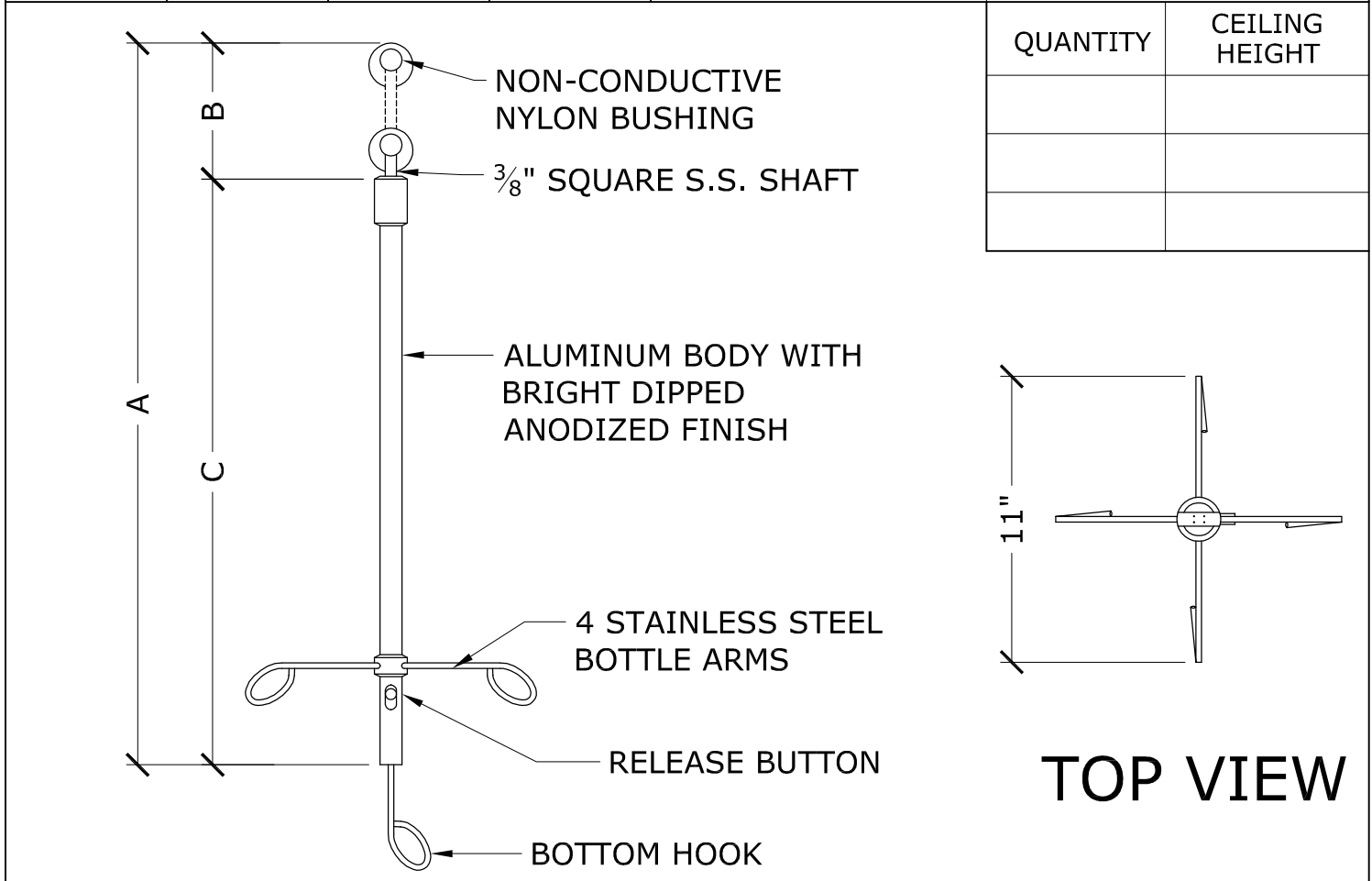


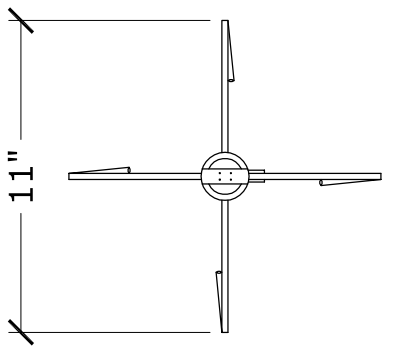
# Model 4000BH Telescoping Bottle Holder



| CEILING HEIGHT | FULLY EXTENDED (A) | VERTICAL TRAVEL (B) | CLOSED (C) | BOTTLE HOLDER FEATURES |                                                       |
|----------------|--------------------|---------------------|------------|------------------------|-------------------------------------------------------|
|                |                    |                     |            | NUMBER OF I.V. HOOKS   | 5                                                     |
| 8'-0"          | 28"                | 10"                 | 18"        | I.V. HOOK LOCATION     | BOTTOM                                                |
| 8'-6"          | 39"                | 16"                 | 23"        |                        |                                                       |
| 9'-0"          | 45"                | 16"                 | 29"        | VERTICAL ADJUSTMENTS   | 16" TELESCOPING SQUARE SHAFT (10" ADJ. ON 8'-0" C.H.) |
| 9'-6"          | 51"                | 16"                 | 35"        |                        |                                                       |
| 10'-0"         | 57"                | 16"                 | 41"        |                        |                                                       |
| 10'-6"         | 63"                | 16"                 | 47"        |                        |                                                       |



| QUANTITY | CEILING HEIGHT |
|----------|----------------|
|          |                |
|          |                |
|          |                |



**TOP VIEW**

|             |  |          |  |
|-------------|--|----------|--|
| ARCHITECT   |  | DATE     |  |
| CONTRACTOR  |  | DATE REV |  |
| DISTRIBUTOR |  | DRAWN BY |  |
| PROJECT     |  | JOB #    |  |
|             |  | SHEET    |  |